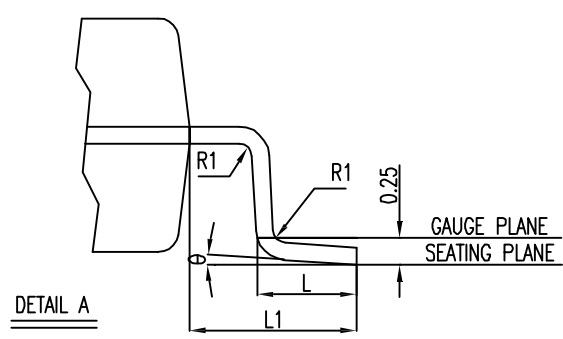
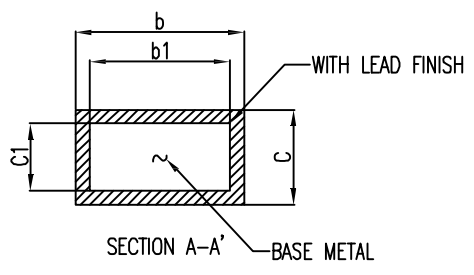
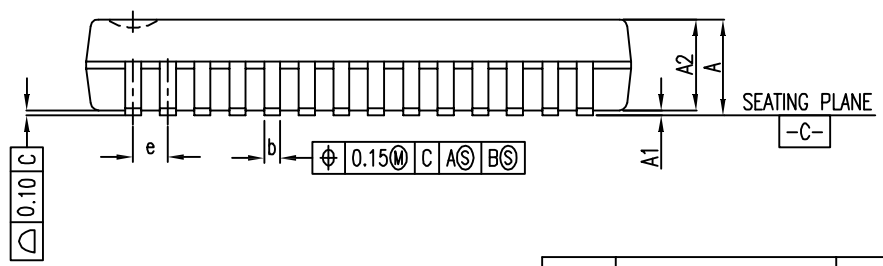


⊕ 0.20 M C A S B S



SYMBOL	COMMON DIMENSION MILLIMETERS			COMMON DIMENSION INCH		
	MIN.	NOM.	MAX.	MIN.	NOM.	MAX.
A			2.0			0.079
A1	0.05			0.002		
A2	1.65	1.75	1.85	0.065	0.069	0.073
b	0.22		0.38	0.009		0.015
b1	0.22	0.30	0.33	0.009	0.012	0.013
c	0.09		0.25	0.004		0.010
c1	0.09	0.15	0.21	0.004	0.006	0.008
E	7.50	7.80	8.10	0.295	0.307	0.319
E1	5.00	5.30	5.60	0.197	0.209	0.220
e	0.65 BSC			0.0256 BSC		
L	0.55	0.75	0.95	0.021	0.030	0.037
L1	1.25 REF.			0.050 REF.		
R1	0.09			0.004		
θ	0°	4°	8°	0°	4°	8°
D	10.00	10.20	10.40	0.394	0.402	0.410
N	28					
JEDEC NO. MO-150AH						

 SPECTRALINEAR INC.
2200 LAURELWOOD RD.
SANTA CLARA, CA
95054
TEL: 408-855-0555
FAX: 408-855-0550

TITLE:
POD for 28LD SSOP(209MIL),
0.65MM PITCH

DATE:
08/22/08

DOCUMENT NO. SL/POD-00034
REV. A
Page 1 OF 2



Document History Page

Document Title: POD for 28LD SSOP(209 MIL), 0.65MM PITCH

Document Number: SL/POD-00034 Rev. A

Rev.	ECR No.	Date	Orig. of Change	Description of Change
A	ECR-743	8/22/2008	RP	NEW RELEASE