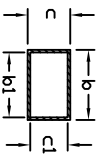
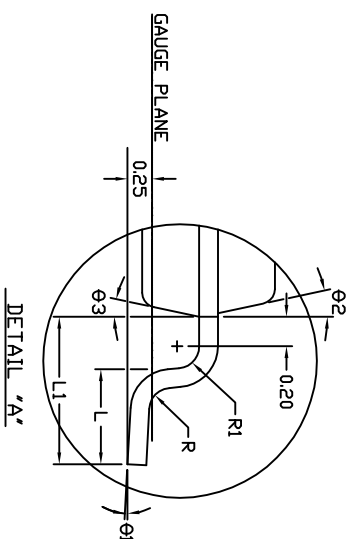
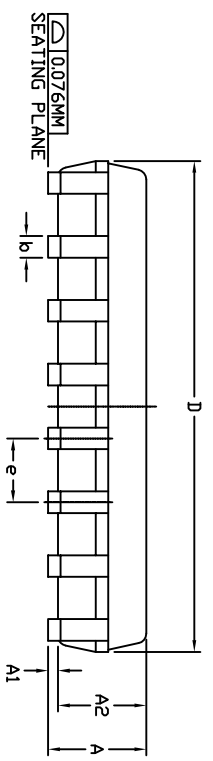


SEE DETAIL 'A'

- NOTES:
1. ALL DIMENSIONS ARE IN MILLIMETERS.
  2. DIMENSION 'D' DOES NOT INCLUDE MOLD FLASH, PROTRUSIONS OR GATE BURRS. MOLD FLASH, PROTRUSIONS OR GATE BURRS SHALL NOT EXCEED 0.15 PER SIDE.
  3. DIMENSION 'E1' DOES NOT INCLUDE INTERLEAD FLASH OR PROTRUSION. INTERLEAD FLASH OR PROTRUSION SHALL NOT EXCEED 0.25 PER SIDE.
  4. 'N' IS THE NUMBER OF TERMINAL POSITIONS.
  5. TERMINAL NUMBERS ARE SHOWN FOR REFERENCE ONLY.
  6. REFERENCE DRAWING JEDEC MD-153, VARIATION AB.



SECTION B-B

SYMBOL	DIMENSION IN MM			DIMENSION IN INCH		
	MIN.	NDM.	MAX.	MIN.	NDM.	MAX.
A	0.05		1.20			.047
A1	0.05		0.15	.002		.006
A2	0.80	0.90	1.05	.031	.035	.041
b	0.19		0.30	.007		.012
b1	0.19	0.22	0.25	.007	.009	.010
c	0.09		0.20	.004		.008
c1	0.09		0.16	.004		.006
D	4.90	5.00	5.10	1.93	1.97	.200
e	0.65 BSC.			.026 BSC.		
E	6.40 BSC.			.252 BSC.		
E1	4.30	4.40	4.50	.169	.173	.177
L	0.50	0.60	0.75	.020	.024	.030
L1	1.00 REF.			.039 REF.		
R	0.09			.004		
R1	0.09			.004		
̸1	0		8	0		8
̸2	12 REF.			12 REF.		
̸3	12 REF.			12 REF.		



SPECTRALINEAR, INC.  
 2200 LAURELWOOD RD.  
 SANTA CLARA, CA  
 95054  
 TEL: 408-855-0555  
 FAX: 408-855-0550

TITLE:  
 POD for 16LD TSSOP (173mil),  
 0.65MM PITCH

DATE: 06/22/08  
 DOCUMENT NO. SL/POD-00014  
 REV. A  
 Page 1 OF 2



# Document History Page

Document Title: POD for 16LD TSSOP (173MIL), 0.65MM PITCH  
Document Number: SL/POD-00014 Rev. A

<b>Rev.</b>	<b>ECR No.</b>	<b>Date</b>	<b>Orig. of Change</b>	<b>Description of Change</b>
A	ECR-647	6/22/2008	RP	NEW RELEASE